

About Mul-T-Lock®

For nearly five decades, Mul-T-Lock® has been a worldwide leader in developing, manufacturing, and marketing high-security locking solutions for institutional, commercial, industrial, and residential applications.

We provide a wide range of high-security and high-quality locking solutions. The company holds dozens of international patents for our innovative user-friendly products, which provide safety, security, and convenience to millions of people across the world.

Mul-T-Lock® is fully owned by the ASSA ABLOY Group, a global leader in access solutions with a proven track record of helping billions of people experience a more open world through innovations that enable safe, secure and convenient access to physical and digital places.

Ready to style your doors with the next generation of security, in brilliant Black?

Visit the Mul-T-Lock® website to find an authorized Mul-T-Lock® locksmith near you.

MTL™ 800

Black Edition

PATENTED
TECHNOLOGY



www.mul-t-lock.com

The Mul-T-Lock name, the muscleman logo, in the field of locking products, the MTL name, and any other name, mark, or logo used by Mul-T-Lock and marked by a ™ or ® sign, are registered / pending or otherwise owned trademarks of Mul-T-Lock Ltd. and/or its affiliates 2022 98102454-A

Part of ASSA ABLOY



MTL™800

PREMIUM PROTECTION IN BRILLIANT BLACK

With the MTL™800's new Black Edition, black is clearly anything but basic. Mul-T-Lock's MTL™800 cylinder platform integrates a state-of-the-art, patented technology with a sleek, shiny black coating to provide the upgraded security solution that optimizes any entryway's security and style.

Now, your modern doors can receive the brilliant finish you're looking for. MTL™800 Black Edition cylinders flawlessly integrate with Belgian and Black doors to create a contemporary, sophisticated look that exudes luxury and security.

SLEEK ON THE OUTSIDE, STRONG ON THE INSIDE

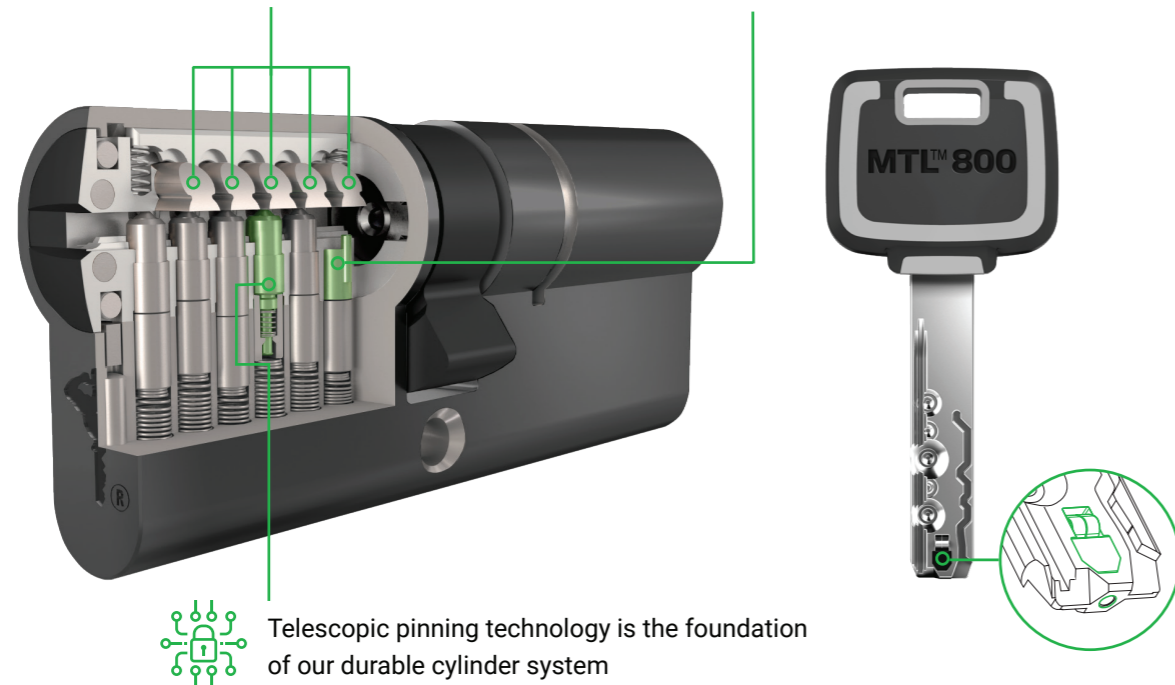
Beneath the shiny, black exterior is a unique, patented platform that combines protective elements to create a triple-locking mechanism for a superior level of security.



A locking bar mechanism forms a powerful security layer



A patented moving element on the key blade's tip engages with a unique pin at the rear of the cylinder, creating an additional shearing



Telescopic pinning technology is the foundation of our durable cylinder system



NEW BLACK EDITION, SAME MTL™800 BENEFITS



Enhanced key copy control
Provided with a unique card with a magnetic strip for secure key cutting



Resistance to all forms of lock manipulation
Picks, drills, bumps, and more!



Powerful master keying capabilities
Scale with your evolving locking needs



Backward compatibility
Easily migrate from MT5+ to MTL™800 platforms