

## ENHANCED KEY COPY CONTROL

Rest assured, Mul-T-Lock takes every possible measure to reduce unauthorized key duplication.



With Mul-T-Lock, you know you are in good hands. We are the world renowned brand that makes it possible for you to buy a premium cylinder platform with patent-protected keys through a global, authorized dealer network.

The MTL™800 key copy control system is employed through a unique card with a magnetic strip that holds your unique key code encrypted. The key-cutting control card grants its holder the ability to order additional keys.

A certified key cutting procedure can be implemented when the original magnetic card is presented to an authorized Mul-T-Lock dealer who owns a KC5™ key-cutting machine.

### About Mul-T-Lock®

For nearly five decades, Mul-T-Lock has been a worldwide leader in developing, manufacturing and marketing high-security access solutions for institutional, commercial, industrial, and residential applications.

We are providing a wide range of high-security and high-quality locking solutions. The company holds dozens of international patents for our innovative user-friendly products, which provide safety, security, and convenience to millions of people across the world.

Mul-T-Lock is fully owned by the ASSA ABLOY Group, a global leader in access solutions with a proven track record in helping billions of people experience a more open world through innovations that enable safe, secure and convenient access to physical and digital places.

# MTL™800

## PREMIUM PROTECTION LOCKING SYSTEM



[www.mul-t-lock.com](http://www.mul-t-lock.com)

The Mul-T-Lock name, the muscleman logo, in the field of locking products, and the MTL name, marked by a ™ or ® sign, are registered / pending or otherwise owned trademarks of Mul-T-Lock Ltd. and/or its affiliates 2020 98102198-A

Part of ASSA ABLOY



# MTL™800

Mul-T-Lock's MTL™800 cylinder platform integrates state of the art, patented technology to provide the upgraded security solution you've been looking for!

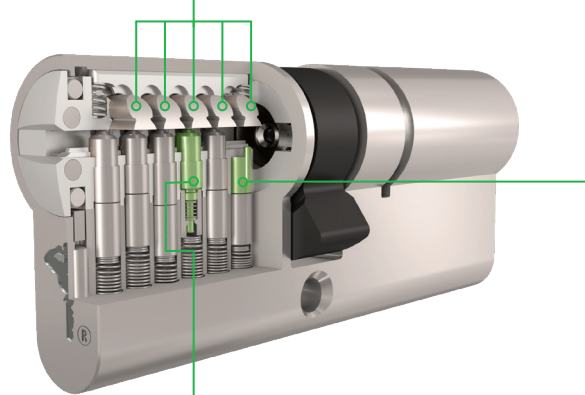
The unique, patented platform combines protective elements to create a triple-locking mechanism that enables a superior level of security.



A locking bar mechanism forms a powerful security layer



Double alpha spring: A patented moving element on the key blade's tip engages with a unique pin at the rear of the cylinder, creating an additional shearing



Telescopic pinning technology is the foundation of our durable cylinder system



## POWERFUL MASTER KEYING CAPABILITIES

MTL™800 supports large and complex master key systems, incorporating hierarchy and matrix requirements, within a single suite.

Mul-T-Lock's Master Key Systems (MKS) are designed to scale with your evolving locking needs. You can use a single master key to unlock all or selected doors, dramatically reducing the number of keys you have in circulation, while enabling more dynamic access control.

With backward compatibility mechanism, you can easily migrate from MT5®+ to MTL™800 platforms.

PATENTED TECHNOLOGY

MTL™800 meets international standards to offer enhanced resistance to



picks



drills



bumps

and other forms of lock manipulation, so your assets remain secure, always