

MUL-T-LOCK® Modular Cylinder

One Kit – Endless Possibilities



Mul-T-Lock Modular Kit allows you to build cylinders of any desired length, from 31 to 120 mm a side.

Based on “single cylinder” lengths of 31, 33, 35 and 75 mm, the kit contains vast assortments of parts for building cylinders of any length, even the non-standard sizes such as 31x31, 33x78 etc.

Easy assembly

According to the attached Reference Table or the Mu-T-Lock configurator, pick out the parts required for the desired length and assemble them to create the cylinder.

The cylinders are built on a central two-sided bar. Each side is identified by a number indicating the length group it belongs to:

- Bars for double-sided cylinders are marked “X, X” (2 digits)
- Bars for single-sided cylinders are marked “X” (one digit)

Example:

Use the following parts to build a 31x46 mm double cylinder:

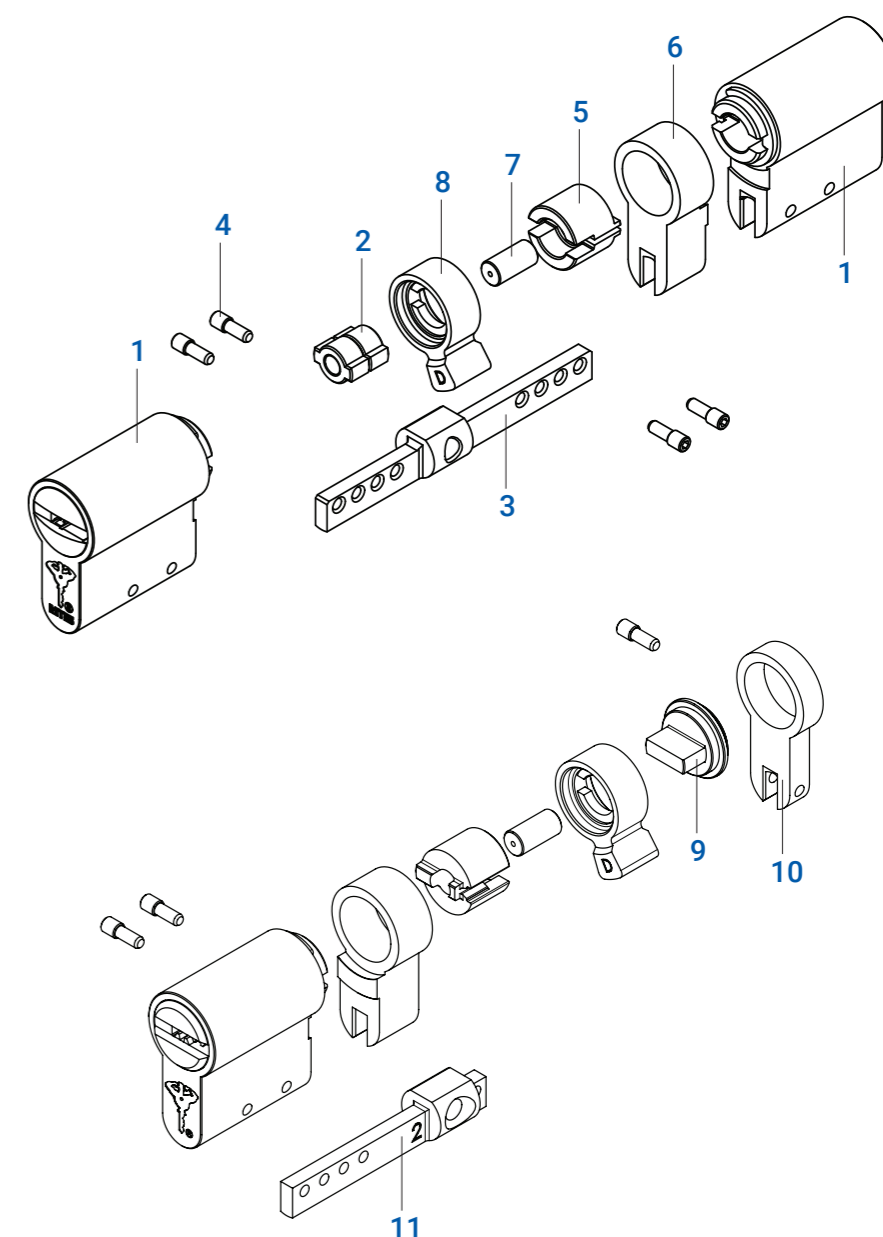
- 1 bar type 1,2 (1 for the 31 mm side, 2 for the 46 mm side)
- For the 31 mm side: body type 31, Plug 31, and nothing else
- For the 46 mm side: body type 31, Plug 31, 15 mm body spacer, 15 mm plug spacer and 15 mm plug adapter
- 4 threaded pins

Note:

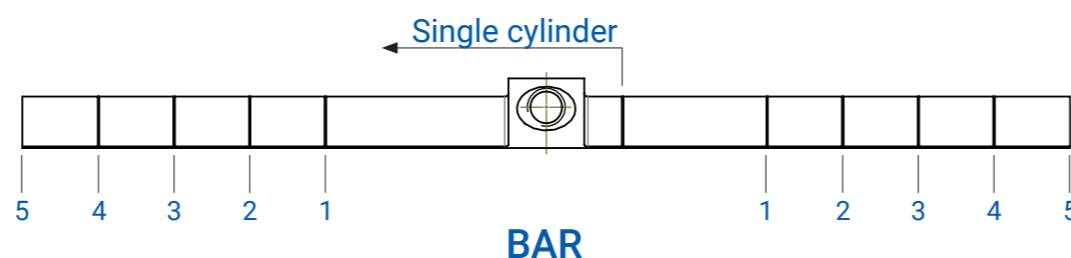
Cylinder bodies and plugs should be ordered separately according to the profile (keyway) you are using and the reference table. To replenish the content of the kit, use special catalog numbers.

REFERENCE TABLE

Cylinder side	Bar	Body	Plug	Body spacer	Plug spacer	Plug adapter
31	1	31	31.0	0	0	0
33	1	33	32.5	0	0	0
35	1	35	34.5	0	Ø7x2	0
38	1	33	37.5	5	Ø7x5	0
40	1	35	39.5	5	Ø7x7	0
41	2	31	31.0	10	Ø5x10	10
43	2	33	32.5	10	Ø5x10	10
45	2	35	34.5	10	Ø5x12	10
46	2	31	31.0	15	Ø5x15	15
48	2	33	32.5	15	Ø5x15	15
50	2	35	34.5	15	Ø5x17	15
51	3	31	31.5	20	Ø5x20	20
53	3	33	32.5	20	Ø5x20	20
55	3	35	34.5	20	Ø5x22	20
56	3	31	31.0	25	Ø5x25	25
58	3	33	32.5	25	Ø5x25	25
60	3	35	34.5	25	Ø5x27	25
61	4	31	31.0	30	Ø5x30	30
63	4	33	32.5	30	Ø5x30	30
65	4	35	34.5	30	Ø5x32	30
66	4	31	31.0	35	Ø5x35	35
68	4	33	32.5	35	Ø5x35	35
70	4	35	34.5	35	Ø5x37	35
71	5	31	31.0	40	Ø5x40	40
73	5	33	32.5	40	Ø5x40	40
75	5	35	34.5	40	Ø5x42	40
76	5	31	31.0	45	Ø5x45	45
78	5	33	32.5	45	Ø5x45	45
80	5	35	34.5	45	Ø5x47	45
85	2	75	32.5	10	Ø5x42	42
					Ø5x10	10
90	2	75	32.5	15	Ø5x42	42
					Ø5x15	15
95	3	75	32.5	20	Ø5x42	42
					Ø5x20	20
100	3	75	32.5	25	Ø5x42	42
					Ø5x25	25
105	4	75	32.5	30	Ø5x42	42
					Ø5x30	30
110	4	75	32.5	35	Ø5x42	42
					Ø5x35	35
115	5	75	32.5	40	Ø5x42	42
					Ø5x40	40
120	5	75	32.5	45	Ø5x42	42
					Ø5x45	45



No.	Part
1	Modular cylinder
2	Coupling
3	Bar
4	Threaded pin
5	Plug adapter
6	Body spacer
7	Plug spacer
8	Cam
9	Coupling for single cylinder
10	Adapter for single cylinder
11	Bar for single cylinder





MUL-T-LOCK® Modular Cylinder Kit

BOX LAYOUT

1	7	13	19	22	
2	8	14			
3	9	15	20		
4	10	16			
5	11	17	21		23
6	12	18			

No.	Cat. No	Description	Cell	No.	Cat. No	Description	Cell
1	84401121	Bar 1	19	33	88000057	Plug Spacer Ø5x22mm	11
2	84401122	Bar 2	19	34	88000058	Plug Spacer Ø5x25mm	4
3	84401123	Bar 3	19	35	88000059	Plug Spacer Ø5x27mm	4
4	84401124	Bar 4	19	36	88000060	Plug Spacer Ø5x30mm	10
5	84401125	Bar 5	19	37	88000061	Plug Spacer Ø5x32mm	10
6	84600073	Single CYL. Coupling	19	38	88000062	Plug Spacer Ø5x35mm	3
7	84400071	Adapter for Single CYL.	19	39	88000063	Plug Spacer Ø5x37mm	3
8	84400057	Allen Key 1.5mm	19	40	88000064	Plug Spacer Ø5x40mm	9
9	84400008	Threaded Pin	1	41	88000065	Plug Spacer Ø5x42mm	9
10	84401100	Bar 1,1	22	42	88000066	Plug Spacer Ø5x45mm	2
11	84401101	Bar 1,2	22	43	88000067	Plug Spacer Ø5x47mm	2
12	84401102	Bar 1,3	22	44	84400130	Body Spacer 5mm	20
13	84401103	Bar 1,4	22	45	84400131	Body Spacer 10mm	20
14	84401104	Bar 1,5	22	46	84400132	Body Spacer 15mm	20
15	84401108	Bar 2,2	22	47	84400133	Body Spacer 20mm	21
16	84401109	Bar 2,3	22	48	84400134	Body Spacer 25mm	21
17	84401110	Bar 2,4	22	49	84400135	Body Spacer 30mm	21
18	84401111	Bar 2,5	22	50	84400136	Body Spacer 35mm	21
19	84401112	Bar 3,3	22	51	84400137	Body Spacer 40mm	21
20	84401113	Bar 3,4	22	52	84400138	Body Spacer 45mm	21
21*	84401114	Bar 3,5	--	53	80100613	Plug Adapter 10mm	18
22	84401115	Bar 4,4	22	54	80100615	Plug Adapter 15mm	17
23*	84401116	Bar 4,5	--	55	80100617	Plug Adapter 20mm	16
24*	84401117	Bar 5,5	--	56	80002027	Plug Adapter 25mm	15
25	80000322	Plug Spacer Ø7x2mm	6	57	80002029	Plug Adapter 30mm	18
26	88000018	Plug Spacer Ø7x5mm	6	58	80002032	Plug Adapter 35mm	17
27	88000025	Plug Spacer Ø7x7mm	6	59	80002034	Plug Adapter 40mm	16
28	88000052	Plug Spacer Ø5x10mm	12	60	80002036	Plug Adapter 45mm	15
29	88000053	Plug Spacer Ø5x12mm	12	61	87602150	STD cover 5 pin	8
30	88000054	Plug Spacer Ø5x15mm	5	62	82600260	Emergency Cam	13
31	88000055	Plug Spacer Ø5x17mm	5	63	81200100	Cam 30°	13
32	88000056	Plug Spacer Ø5x20mm	11	64	80000019	Coupling	7

* Bar 3,5, 4,5 and 5,5 are not included in the modular kit and can be purchased separately in case of a need.

We are here for you!
Tell us what you need:
Eyal.Morsky@mul-t-lock.com



www.mul-t-lock.com

The Mul-T-Lock name, the muscleman logo, in the field of locking products, the MTL name, and any other name, mark, or logo used by Mul-T-Lock and marked by a ™ or ® sign, are registered / pending or otherwise owned trademarks of Mul-T-Lock Ltd. and/or its affiliates 2022. 84401006-F

Part of ASSA ABLOY