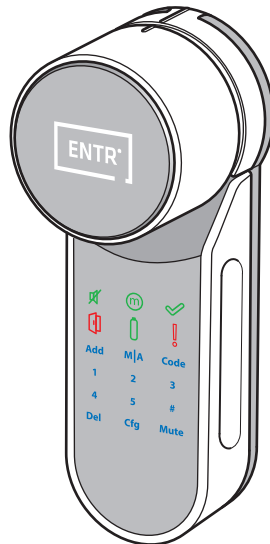


## ENTR® Smart Door Lock Quick Start Guide

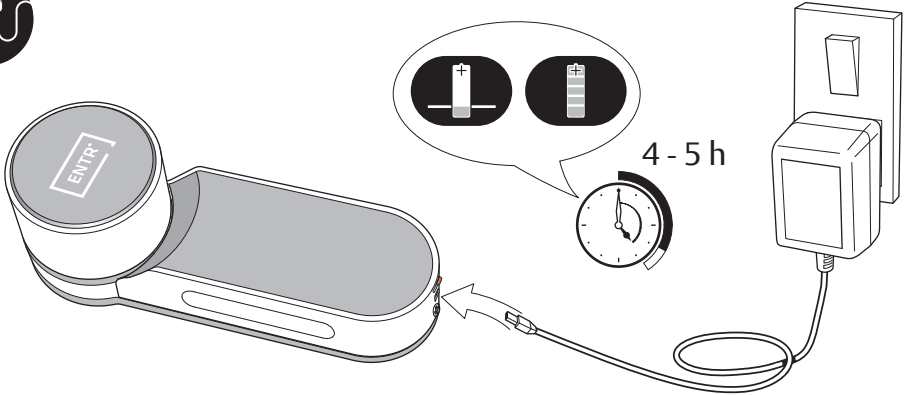
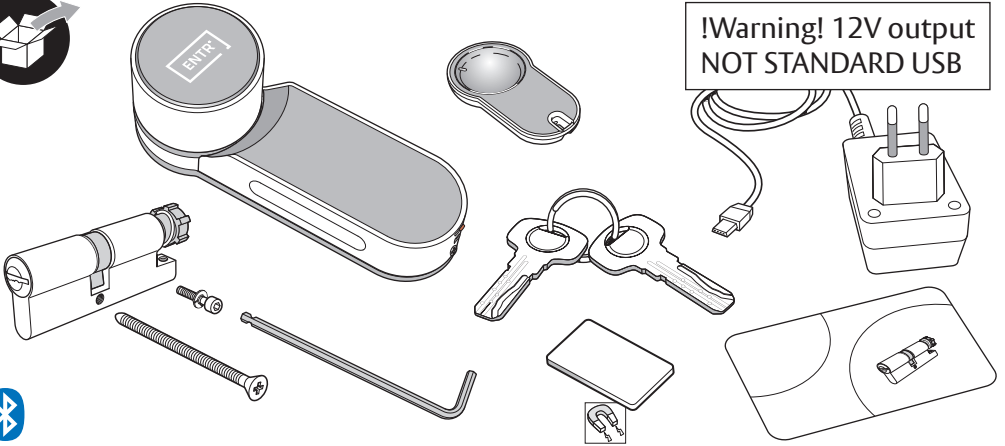


For further support and to download the full user manual, please visit:  
[www.brandname.com/ENTR](http://www.brandname.com/ENTR)

# Getting Started



**!Warning! 12V output NOT STANDARD USB**



**Warning: Do not attempt to operate the unit until assembled on the door.**

ENTR

iOS



App

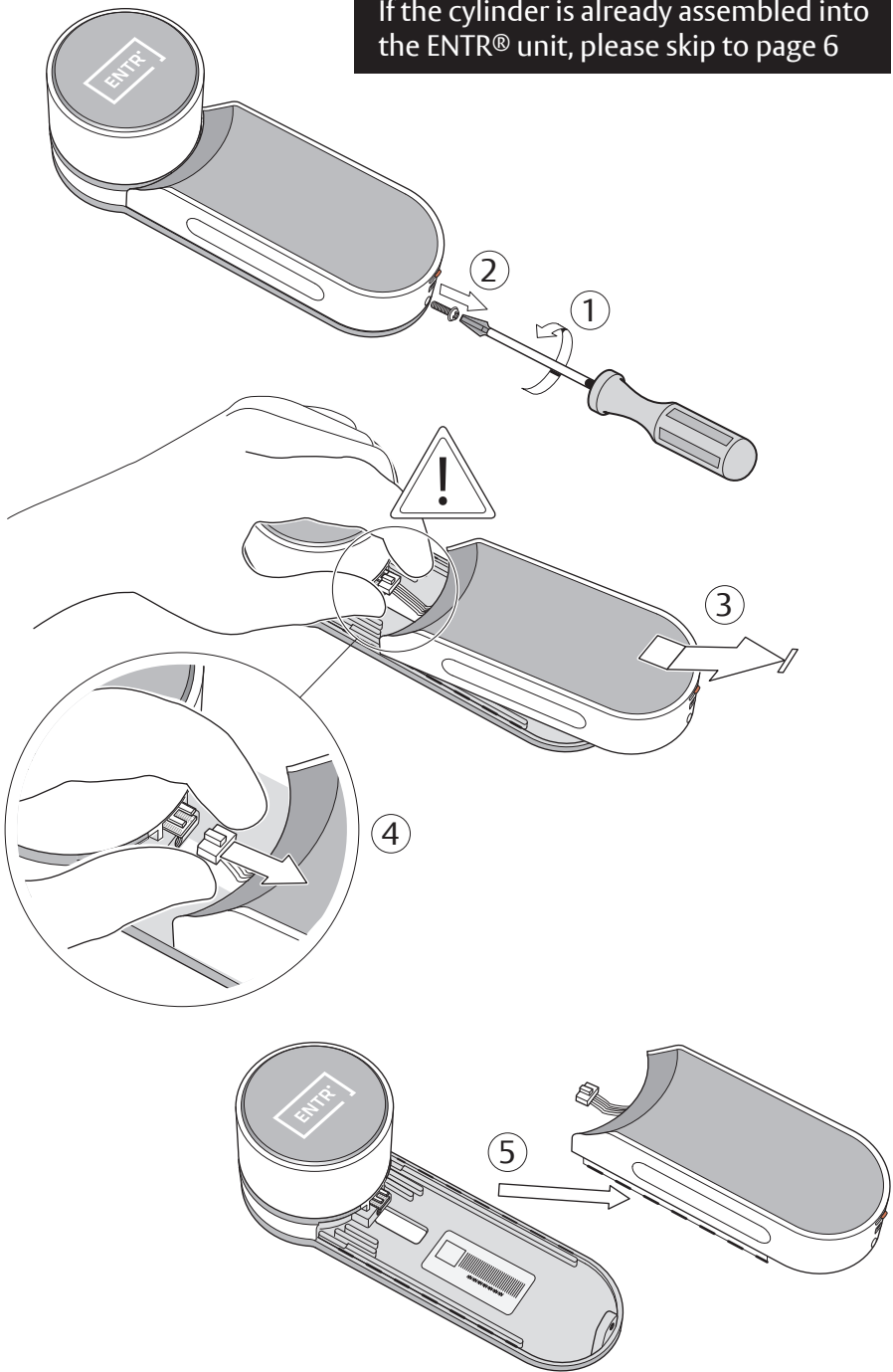


Android

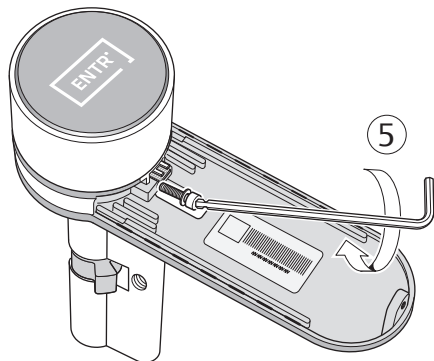
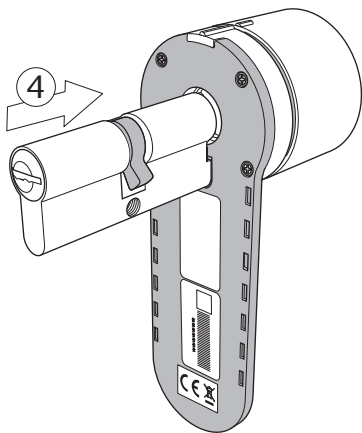
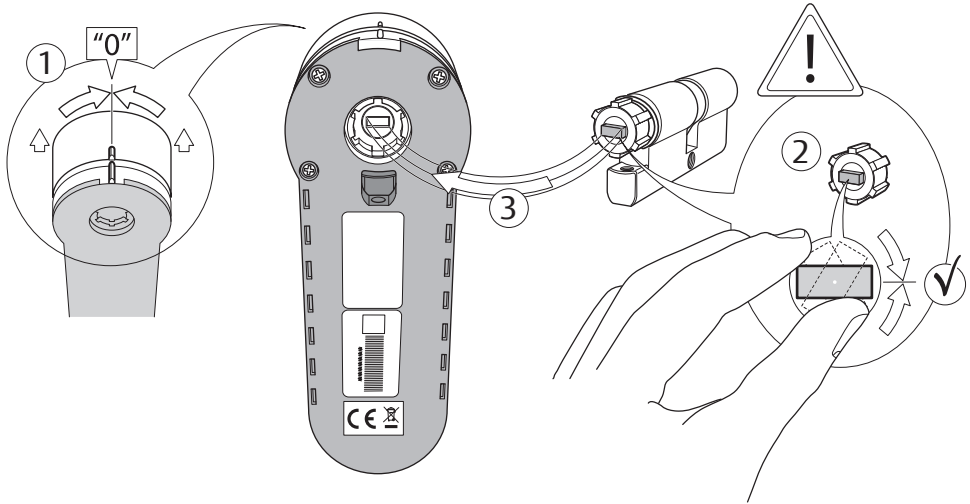
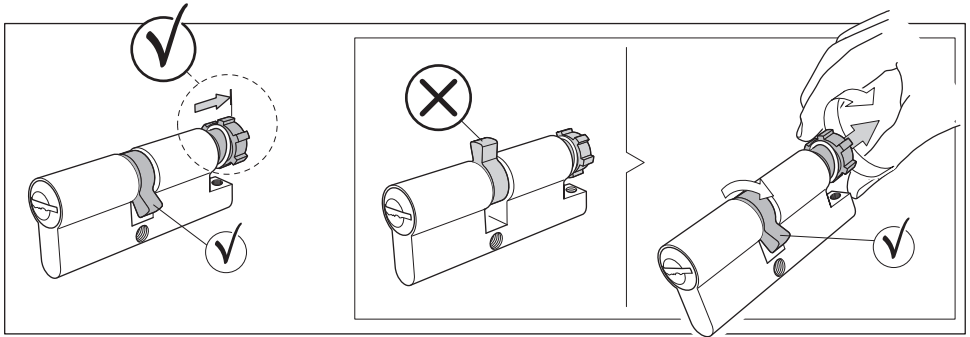


### Cylinder to Unit Assembly (Optional)

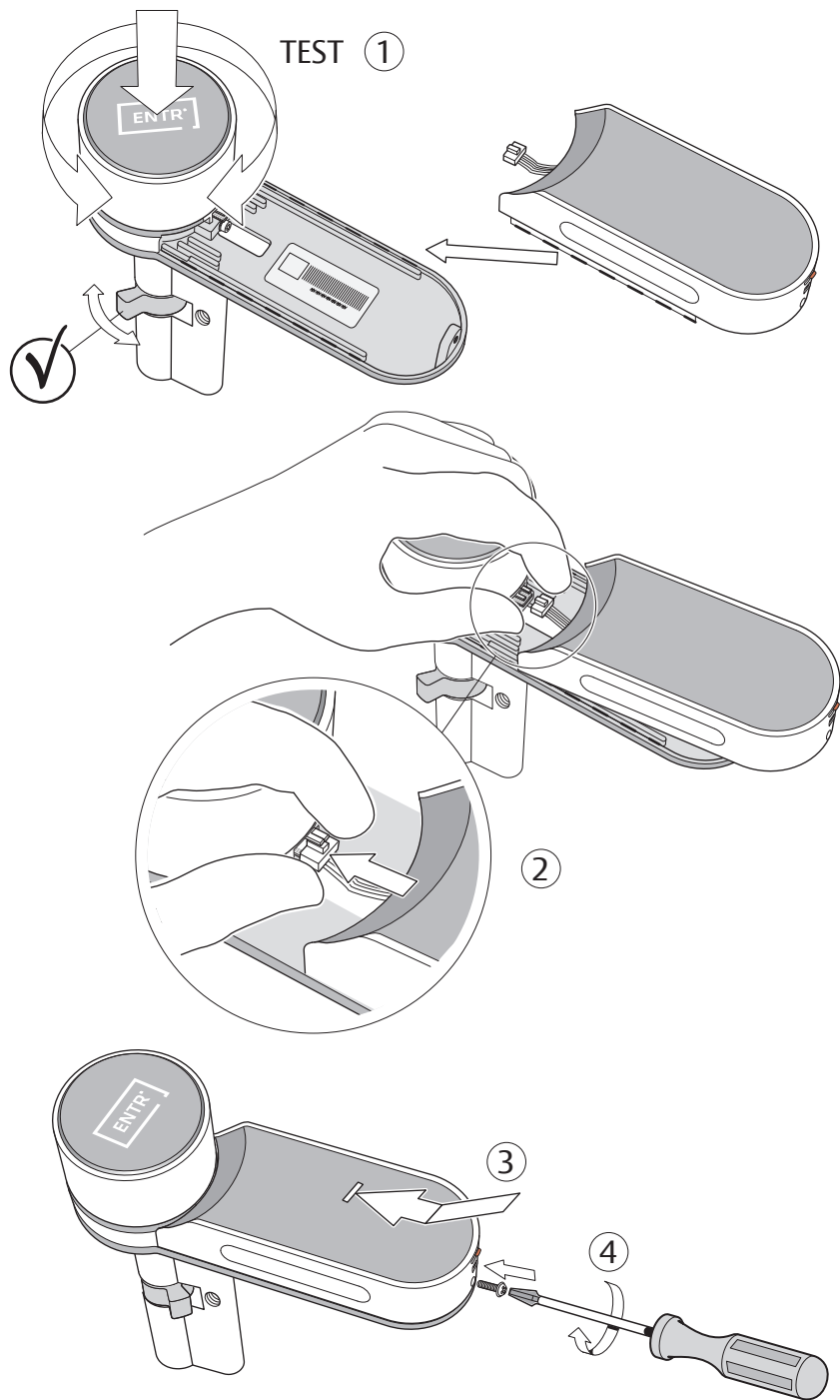
If the cylinder is already assembled into the ENTR® unit, please skip to page 6



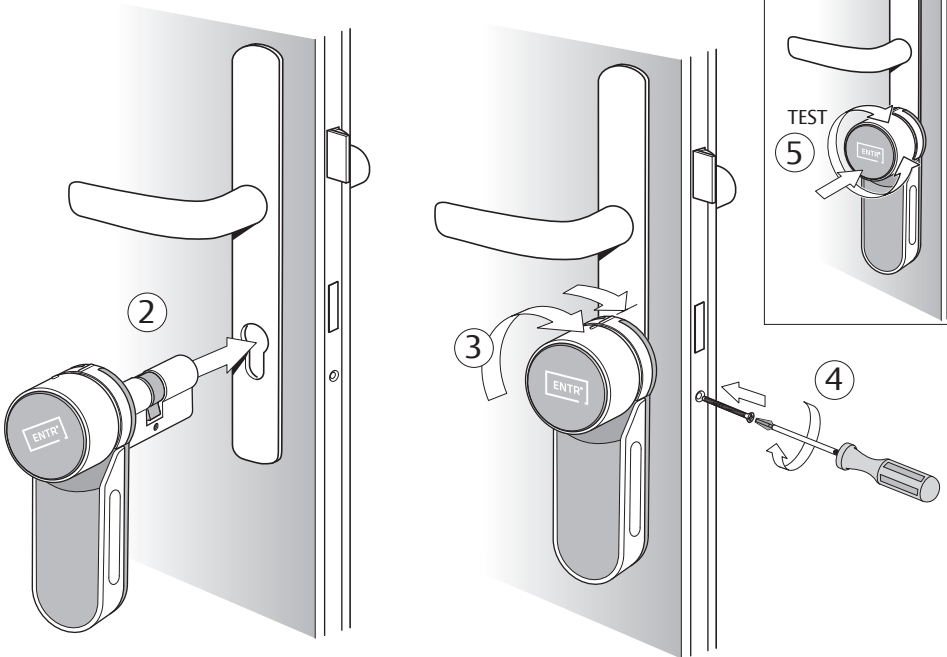
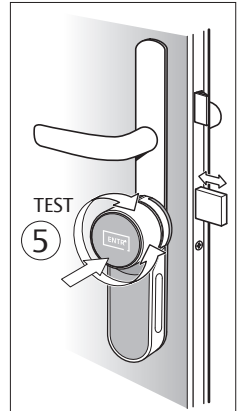
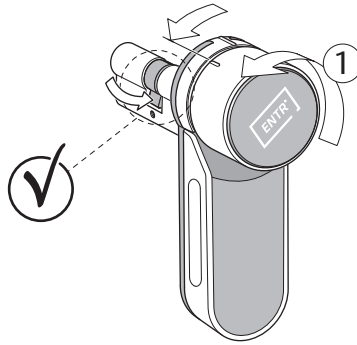
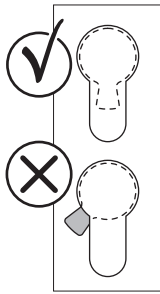
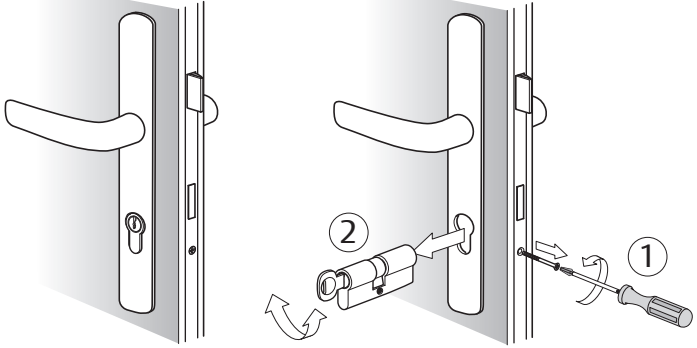
### Cylinder to Unit Assembly - Continued



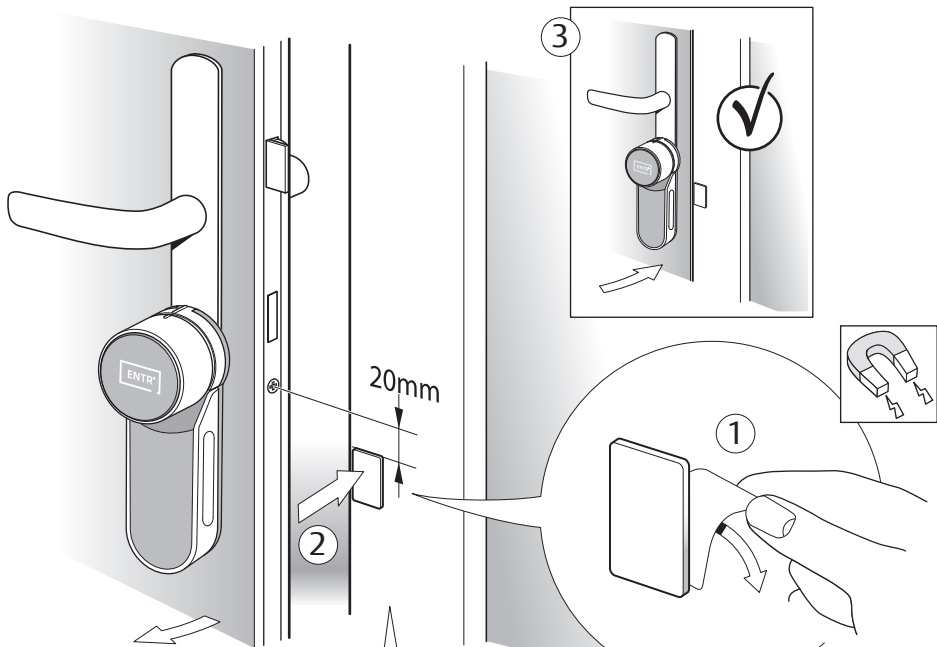
# Cylinder to Unit Assembly - Continued




# Remove Existing Cylinder and Install ENTR® Unit

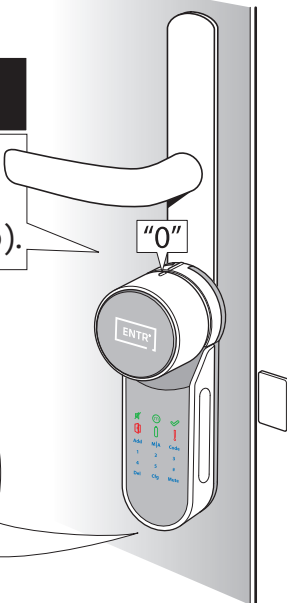
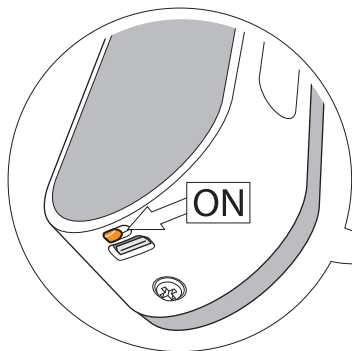


# Apply Magnet and Power On ENTR® Unit



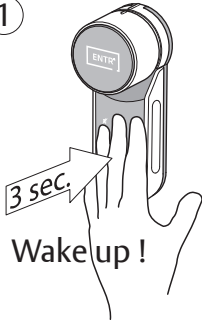
Always leave in "0" position.

Lock can not be operated via remote or phone if not in "0".  
Warning:  will light up (+beep).

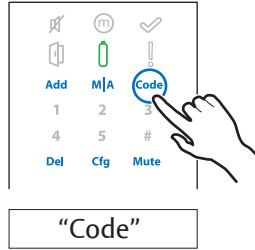


# Set Admin Code

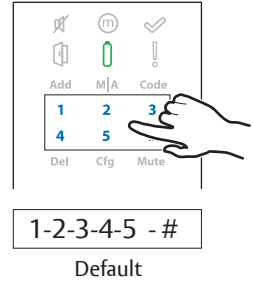
1



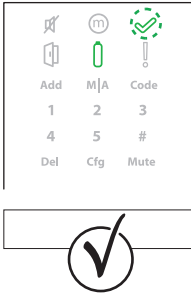
2



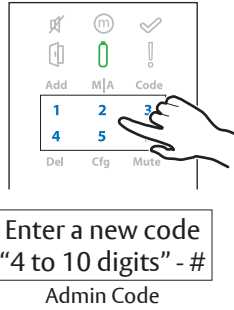
3



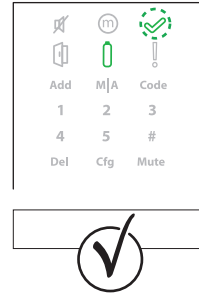
4



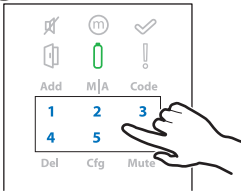
5



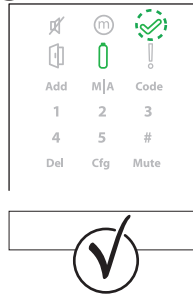
6



7



8



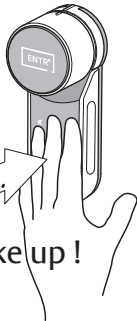
Admin Code



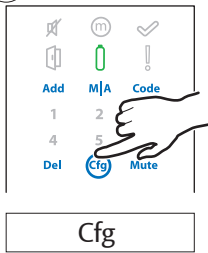


# Set ENTR® Position on Door "Left or Right" and Enable Auto Lock

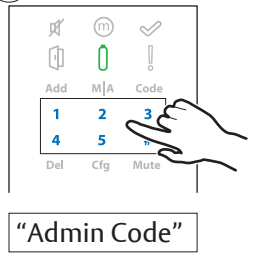
1



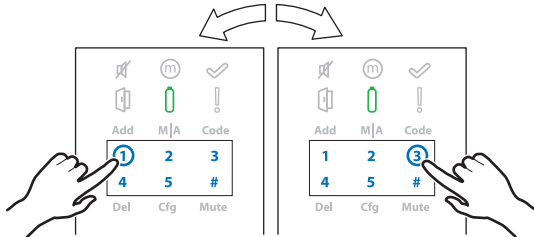
2



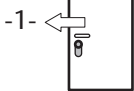
3



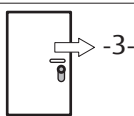
4 Select ENTR® position on door



Left side press -1-

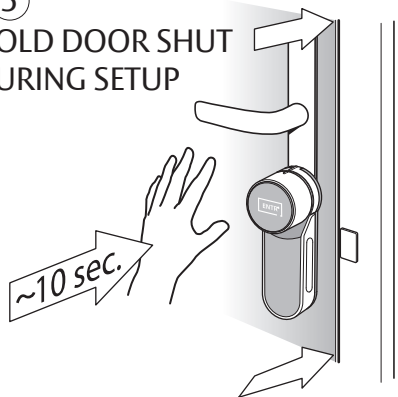


Right side press -3-



5

HOLD DOOR SHUT DURING SETUP

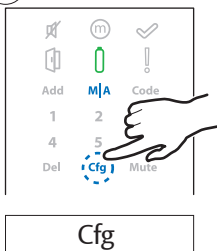


6

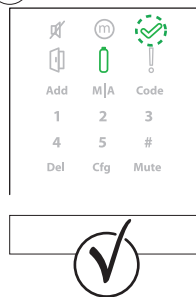


REST DOOR AGAINST LATCH DURING SETUP  
"Do not shut the door"


7



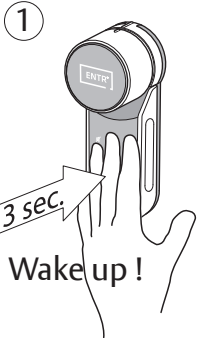
8

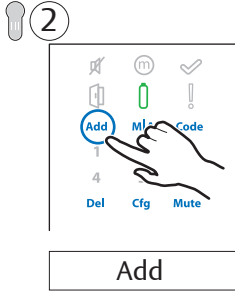


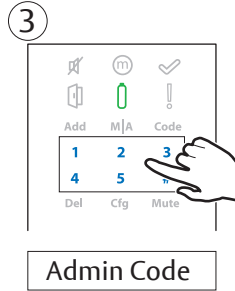
**AUTO LOCK IS NOW ENABLED**

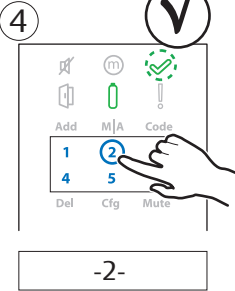
If  (beep): Process failed, go to Website - FAQ / Troubleshooting

### Pair Mobile Phone

**1**  Wake up!

**2**  Add

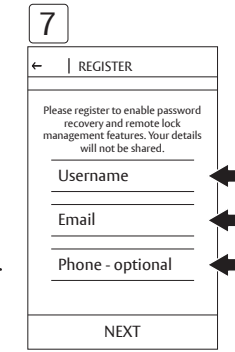
**3**  Admin Code

**4**  -2-

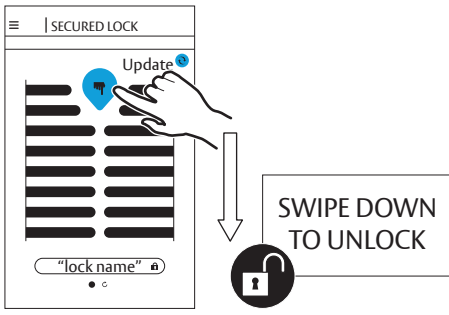
### Enable Bluetooth

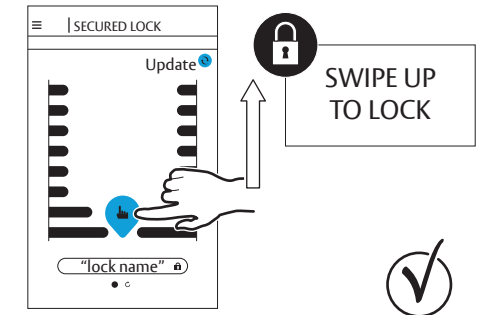
**5**  SWIPE LEFT

**6**  Get Started

**7**  NEXT

**8**  NEXT

**SWIPE DOWN TO UNLOCK** 

**SWIPE UP TO LOCK** 

To add additional mobile users please refer to the full user manual online.

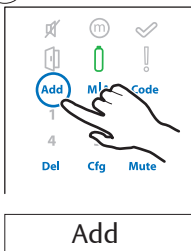
 ALWAYS UPDATE WHEN AVAILABLE

# Pair Remote Control

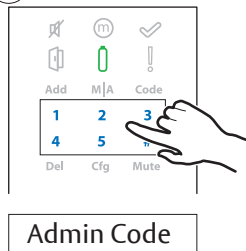
1



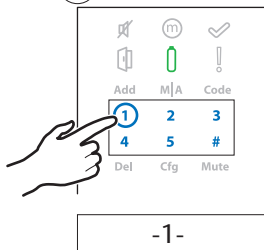
2



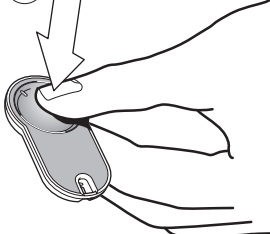
3



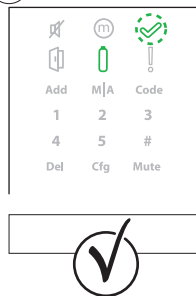
4



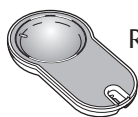
5



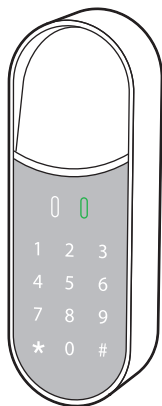
6



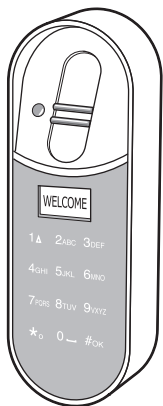
## AVAILABLE ACCESSORIES



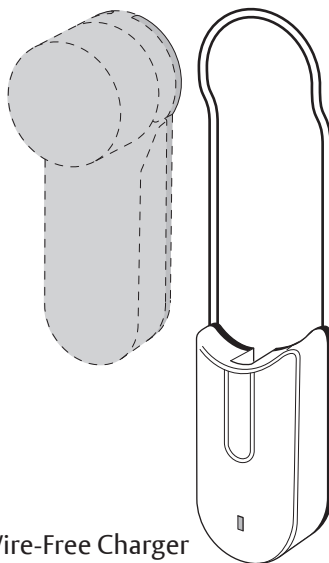
Remote Control



Touchpad Reader



Finger Print Reader



Wire-Free Charger



Hereby, ASSA ABLOY UK Ltd declares that the ENTR® Smart Door Lock is in compliance with Directive 2014/53/EU. The full text of the EU declaration of conformity is available at the following internet address:  
[www.brandname.com/ENTR/declaration-of-confomity](http://www.brandname.com/ENTR/declaration-of-confomity)



**THE ASSA ABLOY GROUP** is the world's leading manufacturer and supplier of locking solutions, dedicated to satisfying end-user needs for security, safety and convenience.

An **ASSA ABLOY** Group brand

**ASSA ABLOY**