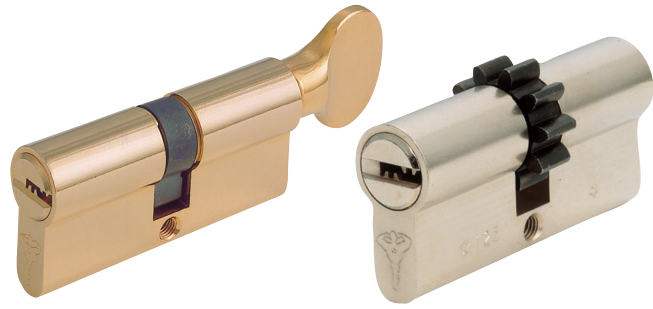


Euro Profile Cylinder



Application

Compatible with locks and lock cases using Euro profile cylinder.

Operation

360° rotation by operating key or thumbturn. Standard double cylinder, full key insertion disengages other side.

Materials

Body and plug: high quality brass
Cam and cogwheel: steel
Pins: nickel silver and stainless steel

Standard finishes

Nickel satin, brass, shiny brass

Special finishes

Nickel chrome, antique brass

Cylinder mechanism

Mul-T-Lock's unique, high precision pin tumbler system.

Keys

Reversible nickel silver key with plastic key head and colored insert. Also available in all nickel silver.

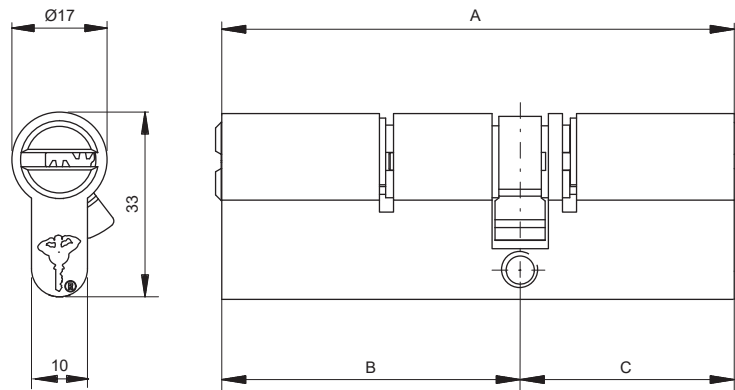
Cylinder options

- Classic, Interactive[®]+, MT5[®] platforms
- '3 IN 1' (changeable combination)
- Keyed different, keyed alike
- Master keyed
- Variety of thumbturns, cams and cogwheels
- Emergency cylinder with both sides permanently operational

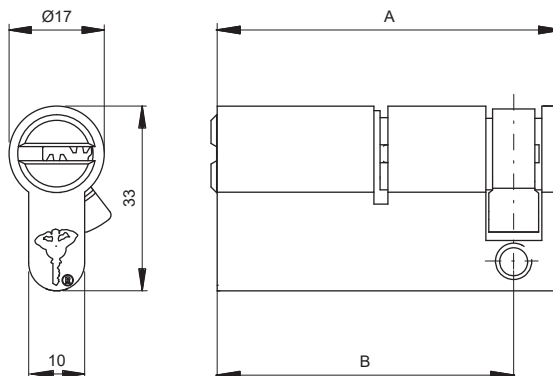
Standards

ISI 950, EN1303

Double cylinder



Single cylinder



Euro Profile Cylinder

Lengths Available (mm)

Double cylinder

A	B	C
62	31	31
66	31	35
66	33	33
70	35	35
71	31	40
71	33	38
75	40	35
76	31	45
76	33	43
76	38	38
78	33	45
80	40	40
80	45	35
81	31	50
81	33	48
81	38	43
82	47.5	34.5
83	35	48
83	45	38
85	45	40
85	50	35
86	31	55
86	33	53
86	38	48
86	43	43
88	40	48
88	50	38
90	45	45
90	50	40
90	55	35
91	31	60
91	33	58

A	B	C
91	38	53
91	43	48
93	40	53
93	48	45
95	50	45
95	55	40
95	60	35
96	31	65
96	33	63
96	38	58
96	43	53
96	48	48
100	50	50
100	55	45
100	60	40
100	65	35
101	31	70
101	38	63
101	43	58
101	48	53
101	68	33
105	55	50
105	60	45
105	65	40
105	70	35
106	53	53
110	55	55
110	60	50
110	65	45
110	70	40
110	75	35
111	48	63

A	B	C
115	60	55
115	65	50
115	70	45
115	75	40
115	80	35
116	33	83
118	33	85
120	60	60
120	65	55
120	70	50
120	75	45
120	80	40
125	50	75
125	65	60
125	70	55
125	80	45
130	50	80
130	55	75
130	65	65
130	70	60
130	95	35
135	55	80
135	60	75
135	65	70
135	100	35
136	68	68
140	40	100
140	60	80
140	65	75
140	70	70

Single cylinder

A	B
40.5	31
42.5	33
44.5	35
47.5	38
49.5	40
52.5	43
54.5	45
57.5	48
59.5	50
64.5	55
69.5	60
74.5	65
79.5	70
84.5	75
89.5	80
99.5	90
134.5	125

Note: for lengths from 40 mm up use standard plugs and additional spacers in order to get the required length. Other lengths are available by special order.

Not all lengths are available in all platforms.

